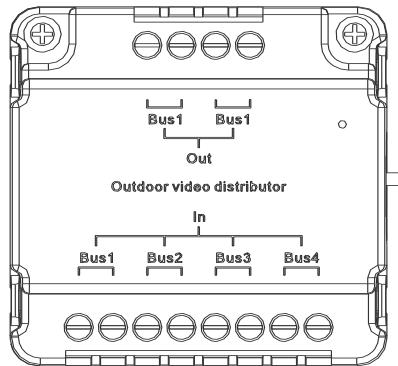


T-series Outdoor Station Video Distributor(T-OD) Manual_V1.1

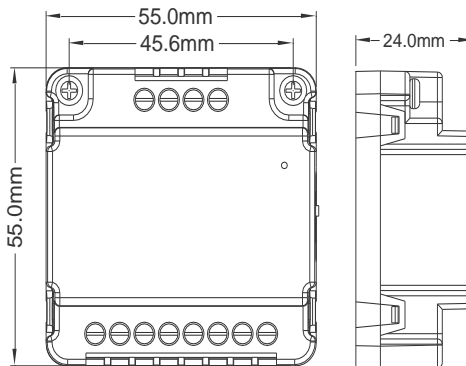


● Introduction In Brief

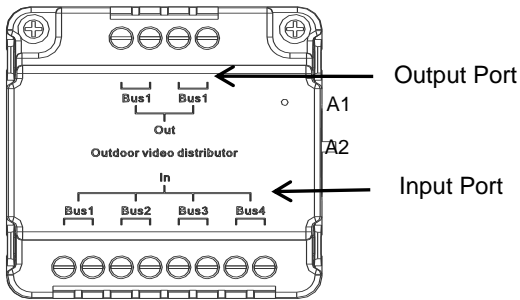
- 1.This product is created for the extension of 2-wire analog video door phone system, which can expand the amount of Outdoor Stations that are connected in one system.
2. Provide amplified output for video signal(transmission gain can be changed by the switch).

● Dimension

Outline dimension(LxWxD): 55x55x24 mm



● **Interface Instruction**



Output Port:

Both Bus1 ports are connected in parallel, which can connect with Power Supply, Distributor or Indoor Monitor depend on the actual circumstance.

Input Port:

Bus1, Bus2, Bus3 and Bus4 can connect to Outdoor Station respectively(3 Outdoor Station max).

Switch:

A1: transmission gain 1x. A2: transmission gain 1.2x.

● **Parameter**

No.	Name	Parameters
1	Working Voltage	DC 30V
2	Working Current	≤ 1A (DC 30V)
3	Working Temperature	-10°C~+55°C
4	Storage Temperature	-20°C~+70°C

- **Attention**

1. Please keep the devices away from strong magnetic field, high temperature and wet environment.
2. Please do not fall the devices to the ground or make them get hard impact.
3. Please do not use wet cloth or volatile reagent to wipe the devices.
4. Please do not disassemble the devices.